
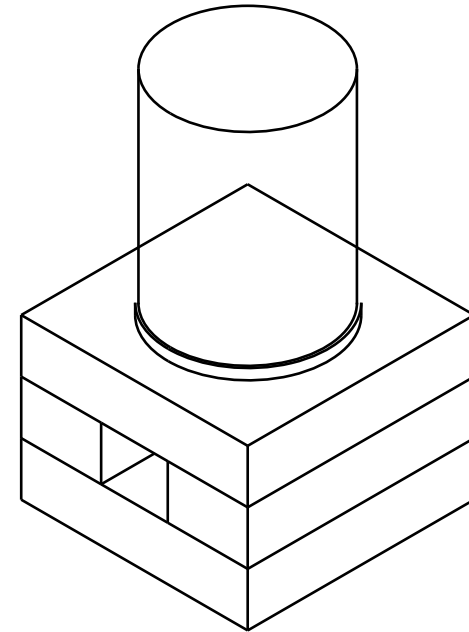
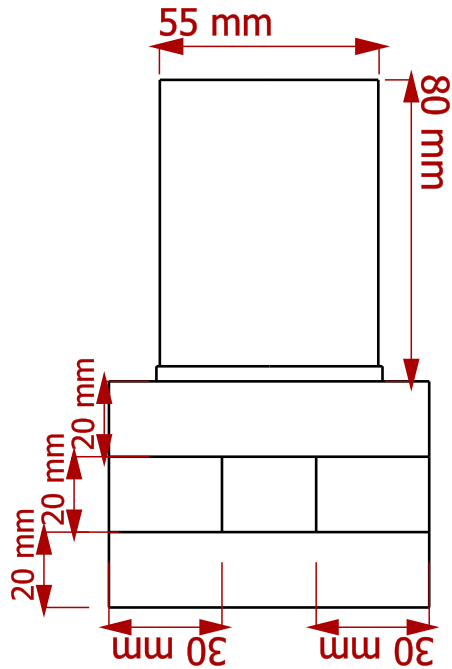
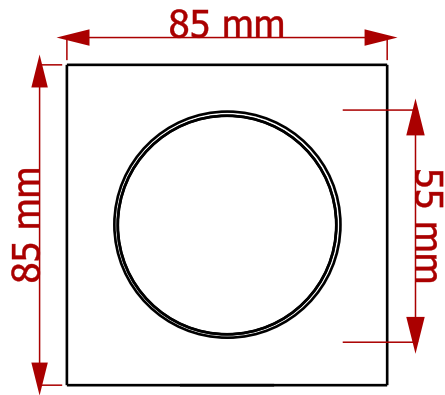
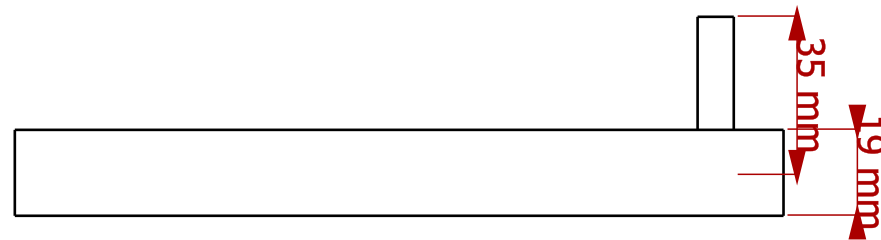
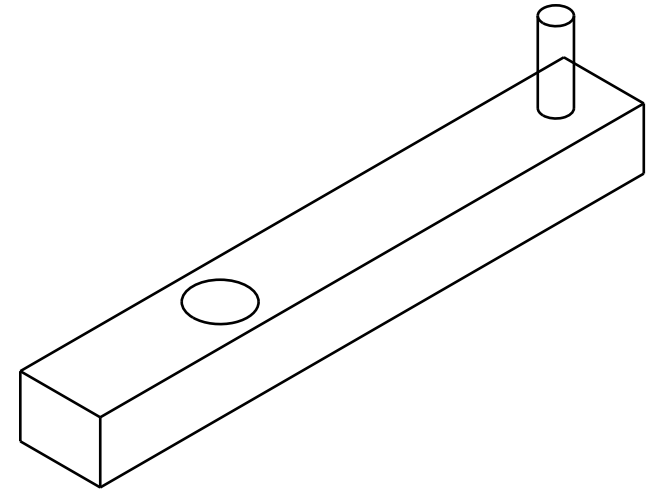
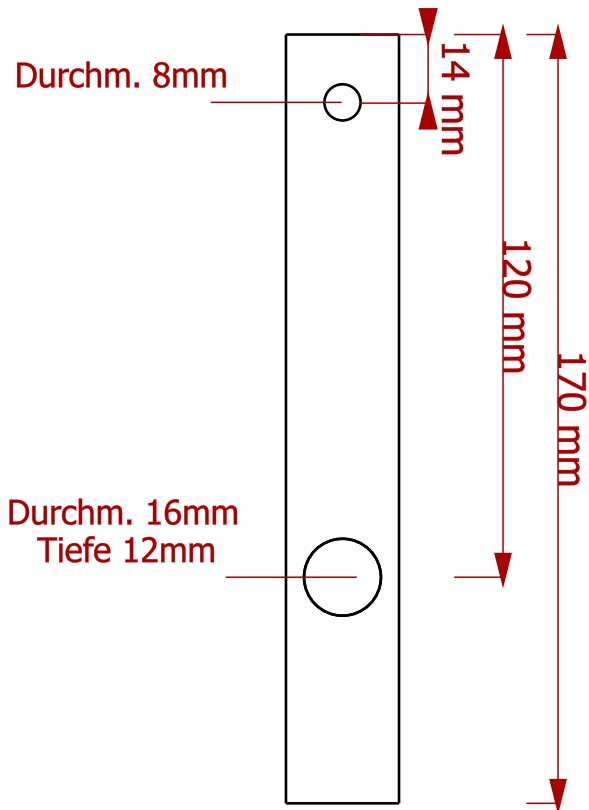


Created by: www.kreativekiste.de	Title: Bonbonspender	Size: A4	Sheet: X / Y	Scale: SCALE
Supplementary information: Naturholz gehobelt und geschliffen		Part number: ALL		
		Drawing no.: 1		
		Date: 12.2017		Revision: REV D
				



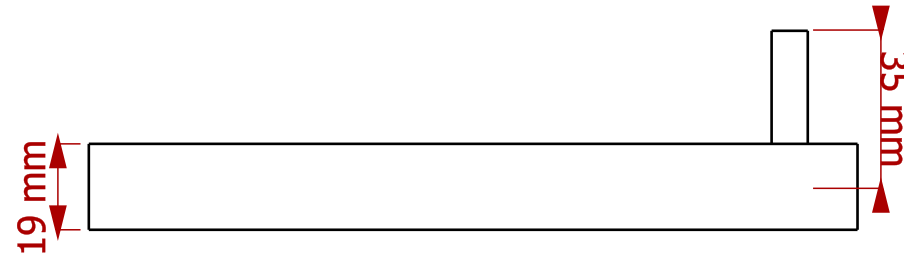
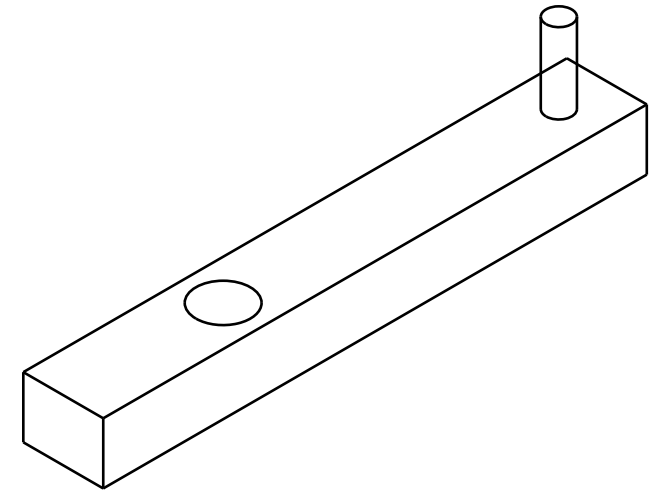
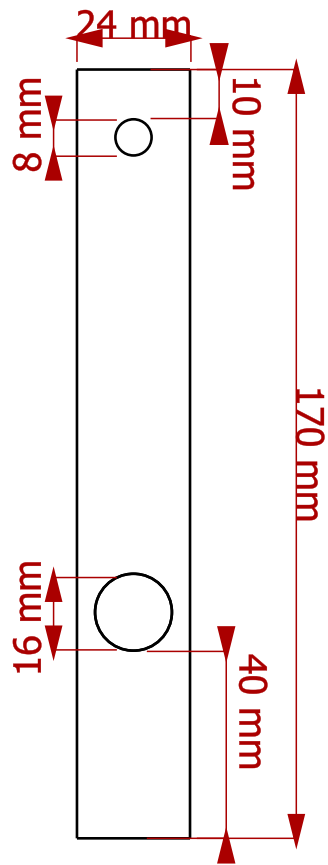
Created by: www.kreativekiste.de	Title: Bonbonspender	Size: A4	Sheet: X / Y	Scale: 0,6
Supplementary information: Babybreigläßchen Laubholz unbehandelt gehobelt oder 3D Drucker PLA		Part number: 2		Revision: REV A
		Drawing no.: 1		
		Date: 12.2017		





Created by: www.kreativekiste.de	Title: Bonbonspender	Size: A 4	Sheet: X/Y	Scale: 0,6
Supplementary information: Laubholz oder 3D Drucker PLA		Part number: 1		Revision: 12.2017
		Drawing no.: 1		
		Date: 1		





Created by: www.kreativekiste.de	Title: Bonbonspender	Size:	Sheet: A4	Scale: X / Y
Supplementary information: Laubholz unbehandelt gehobelt oder 3D Drucker PLA		Part number: 1		Revision: 12.2017
		Drawing no.: 1		
		Date: 1		

